

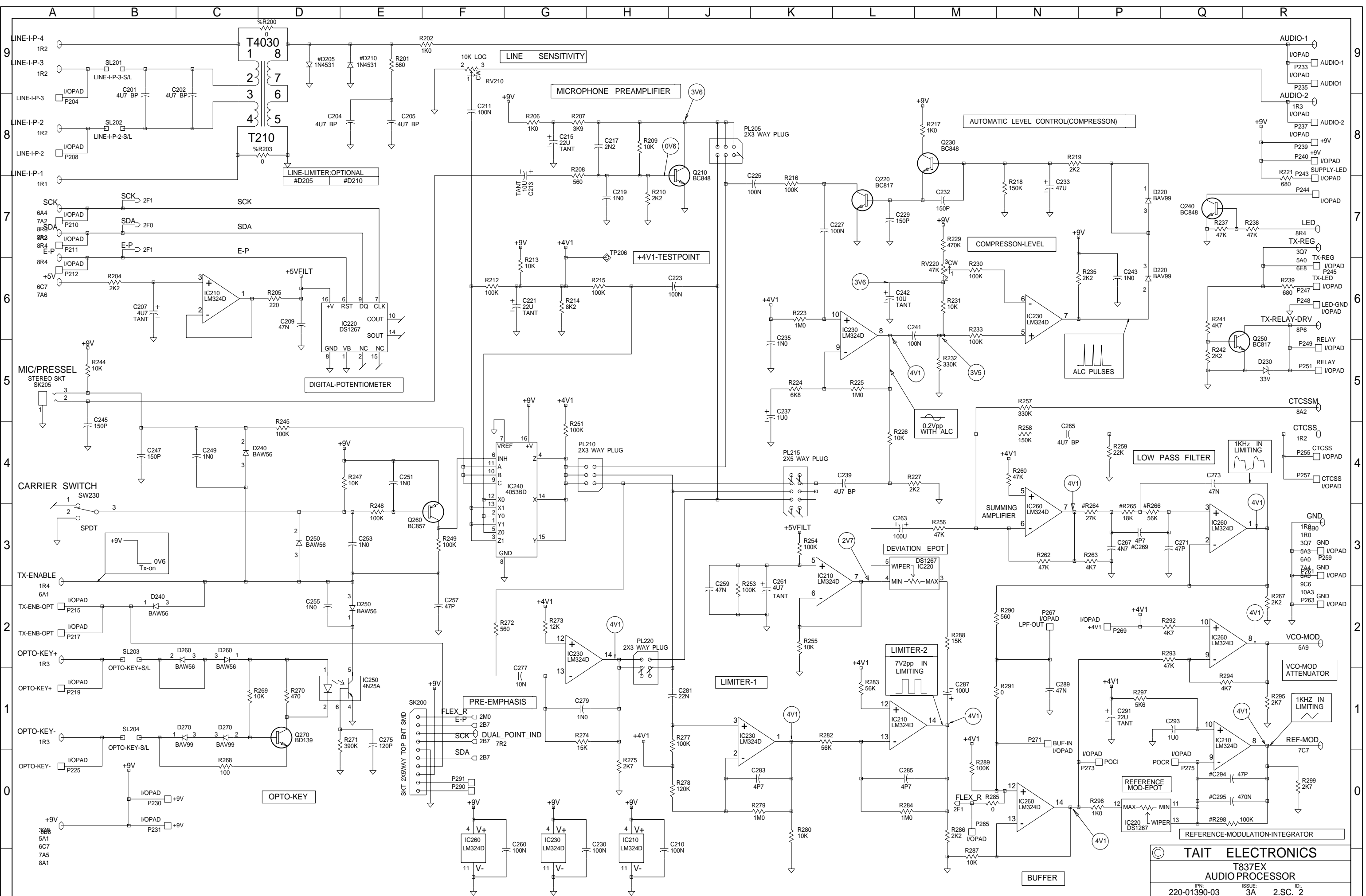
REV/ISS	AMENDMENTS	DRAWN	CHKD	D.O.	APVD	DATE
3A		MAJ				
2B	CHANGED L305 FROM 35H45 TO 35H40	DAVES				
2A	7094.7129.0000.7130	DAVES				
1A	D-RUN-UPDATE	DAVES				
0A	ORIGINAL	DAVES				

PL100
15 WAY R-ANGLE DRANGE PLUG

OUT-OF-CIRCUIT-DATA
SHEET 10

© TAIT ELECTRONICS
T837EX

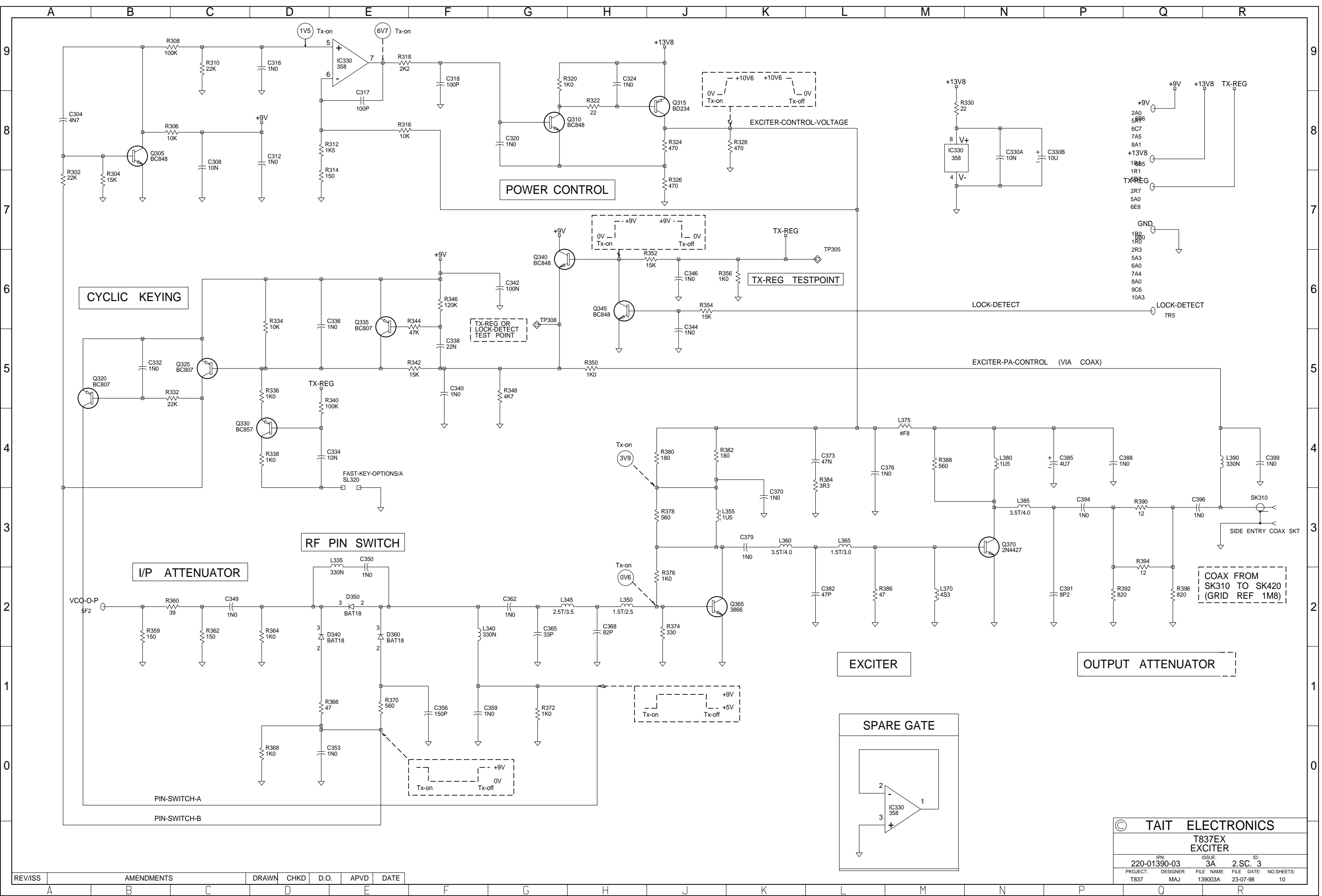
IPN: 220-01390-03 ISSUE: 3A ID: 2.S.C. 1
PROJECT: T837 DESIGNER: MAJ FILE NAME: 139003A FILE DATE: 23-07-98 NO.SHEETS: 10



TAIT ELECTRONICS
T837EX
AUDIO PROCESSOR

IPN: 220-01390-03	ISSUE: 3A	ID: 2.S.C. 2
PROJECT: T837	DESIGNER: MAJ	FILE NAME: 139003A
	DATE: 23-07-98	NO. SHEETS: 10

REV/ISS	AMENDMENTS	DRAWN	CHKD	D.O.	APVD	DATE



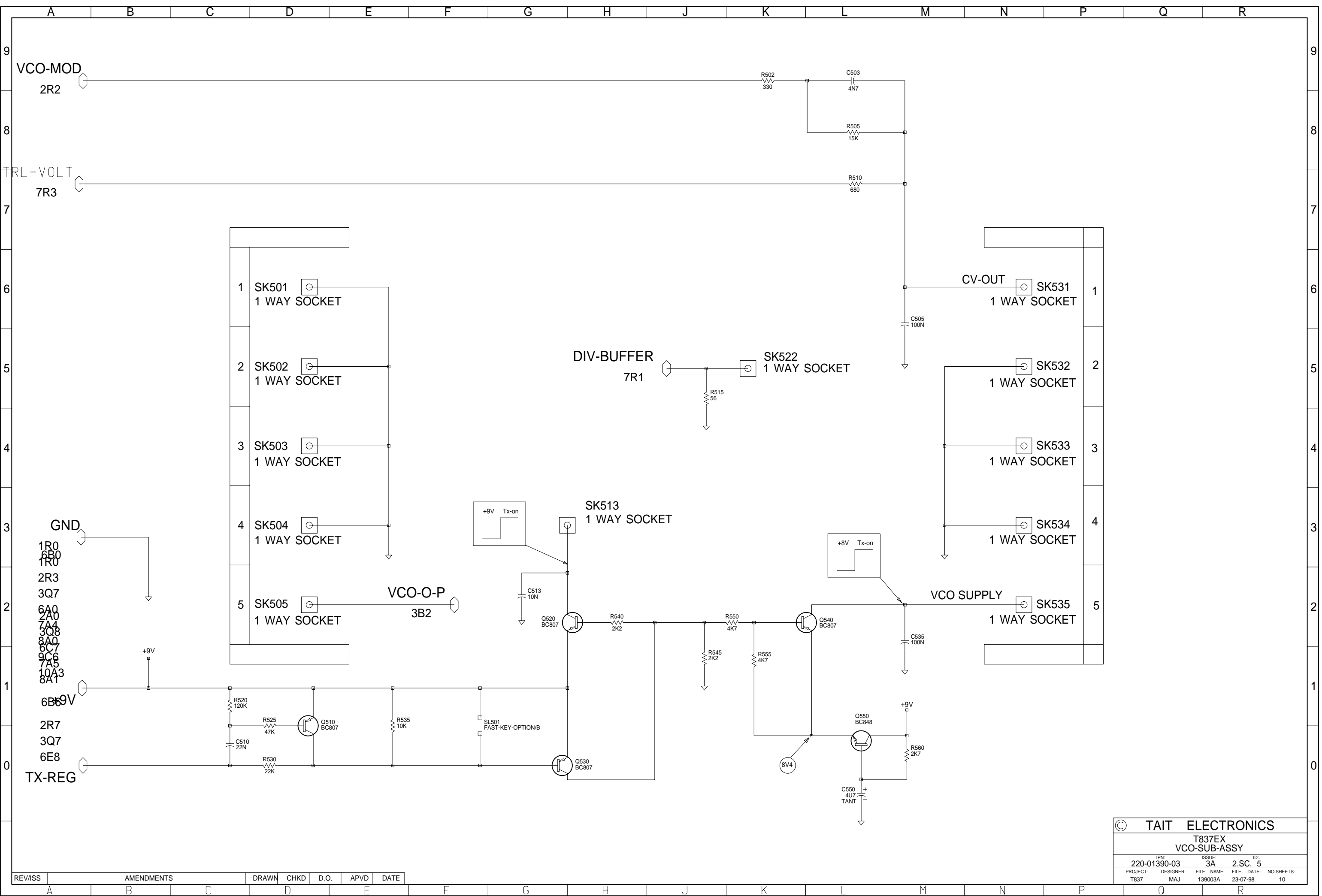
© TAIT ELECTRONICS			
T837EX EXCITER			
IPN: 220-01390-03	ISSUE: 3A	ID: 2.S.C. 3	
PROJECT: T837	DESIGNER: MAJ	FILE NAME: 139003A	NO. SHEETS: 10

REV/ISS	AMENDMENTS	DRAWN	CHKD	D.O.	APVD	DATE

	A	B	C	D	E	F	G	H	J	K	L	M	N	P	Q	R
9																
8																
7																
6																
5																
4																
3																
2																
1																
0																

© TAIT ELECTRONICS				
T837EX				
IPN:	ISSUE:	ID:		
220-01390-03	3A	2.SC. 4		
PROJECT:	DESIGNER:	FILE NAME:	FILE DATE:	NO.SHEETS:
T837	MAJ	139003A	23-07-98	10

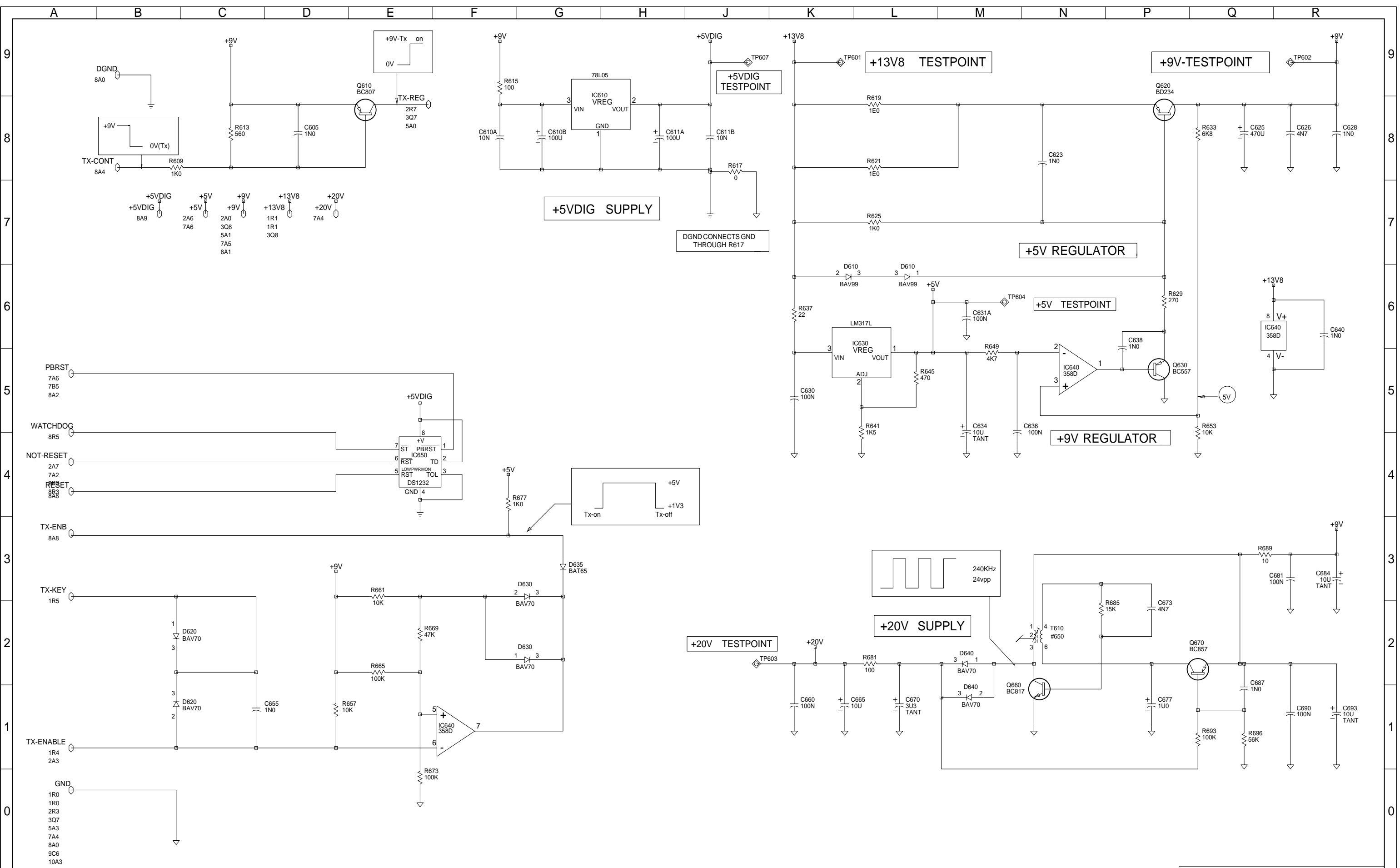
REV/ISS	AMENDMENTS			DRAWN	CHKD	D.O.	APVD	DATE
	A	B	C	D	E	F	G	H



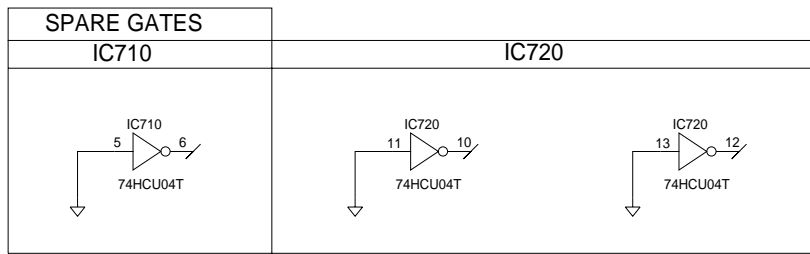
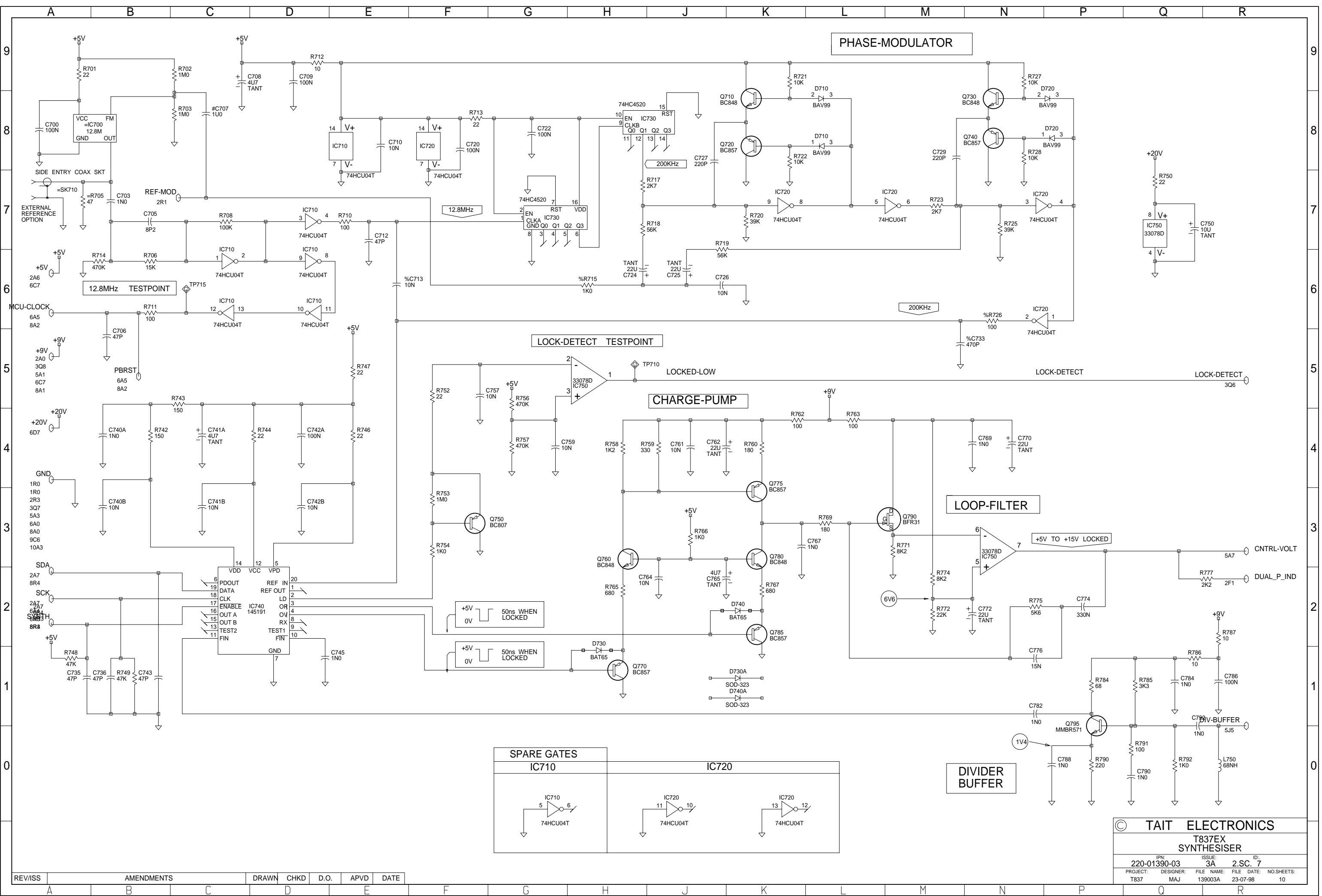
- 1R0
- 6E0
- 1R0
- 2R3
- 3Q7
- 6A0
- 2A0
- 7A4
- 3Q8
- 8A0
- 6C7
- 9C6
- 7A5
- 10A3
- 8A1
- 6B6
- 9V
- 2R7
- 3Q7
- 6E8
- TX-REG

© TAIT ELECTRONICS			
T837EX VCO-SUB-ASSY			
IPN: 220-01390-03	ISSUE: 3A	ID: 2.S.C. 5	
PROJECT: T837	DESIGNER: MAJ	FILE NAME: 139003A	FILE DATE: NO.SHEETS: 23-07-98 10

REV/ISS	AMENDMENTS	DRAWN	CHKD	D.O.	APVD	DATE



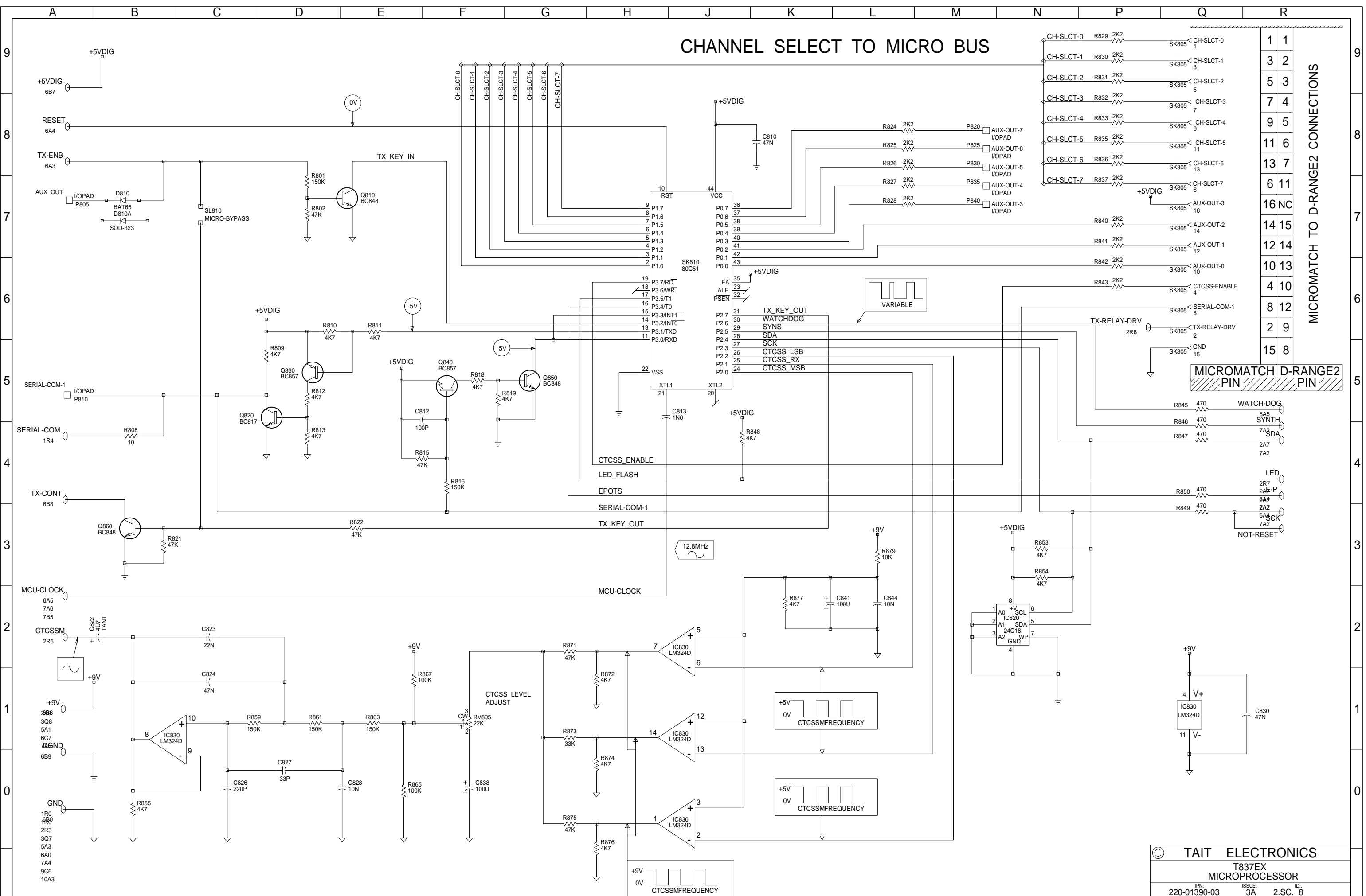
REV/ISS	AMENDMENTS	DRAWN	CHKD	D.O.	APVD	DATE



© TAIT ELECTRONICS			
T837EX SYNTHESIZER			
IPN:	ISSUE:	FILE NAME:	ID:
220-01390-03	3A	139003A	2.SC. 7
PROJECT:	DESIGNER:	FILE DATE:	NO.SHEETS:
T837	MAJ	23-07-98	10

REV/ISS	AMENDMENTS	DRAWN	CHKD	D.O.	APVD	DATE
A						

CHANNEL SELECT TO MICRO BUS



MICROMATCH TO D-RANGE2 CONNECTIONS

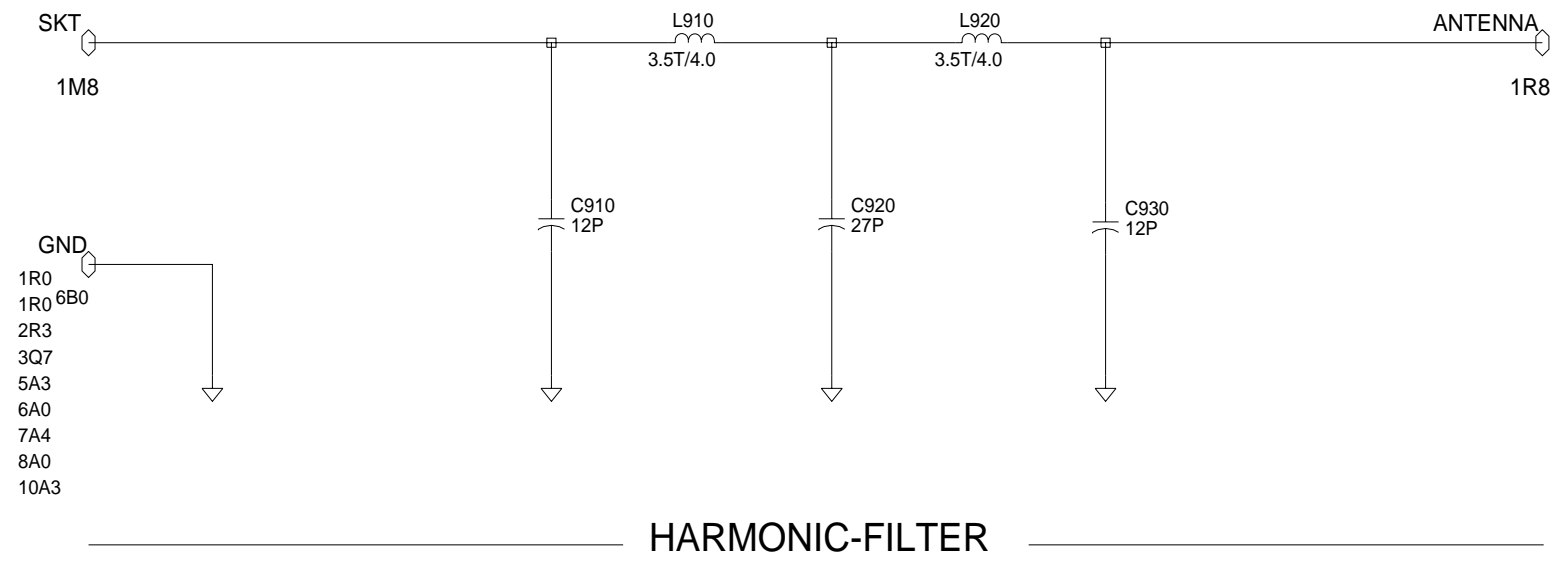
1	1
3	2
5	3
7	4
9	5
11	6
13	7
6	11
16	NC
14	15
12	14
10	13
4	10
8	12
2	9
15	8

MICROMATCH PIN D-RANGE2 PIN

© TAIT ELECTRONICS
T837EX
MICROPROCESSOR

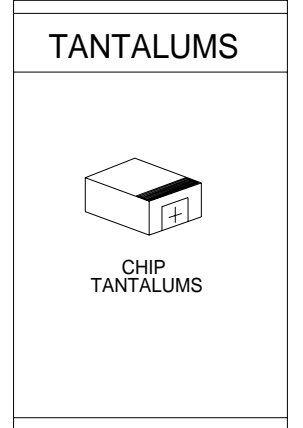
IPN: 220-01390-03	ISSUE: 3A	ID: 2.S.C. 8
PROJECT: T837	DESIGNER: MAJ	FILE NAME: 139003A
DATE: 23-07-98	NO. SHEETS: 10	

REV/ISS	AMENDMENTS	DRAWN	CHKD	D.O.	APVD	DATE
A						



DIODE PHYSICAL PIN OUTS				
 SOT23 DIODE A NC K BAT18 New Zealand	 SOT23 DIODES A A K BAV70 New Zealand	 SOT23 DIODES A K KA BAV99 New Zealand	 SOT23 DIODES K K A BAW56 New Zealand	 K A BAT65 New Zealand

TRANSISTOR PHYSICAL PIN OUTS					
 SOT23 PNP B E C BC857 BC807 New Zealand	 SOT23 FET D S G BFR31 New Zealand	 SOT23 NPN B E C BC848 BC817 MMBR571 MMBR951L New Zealand	 TO-92 PNP E B C BC557 New Zealand	 TO-92 FET D S G BF247 New Zealand	 TO-126 PNP B C E BD234 New Zealand



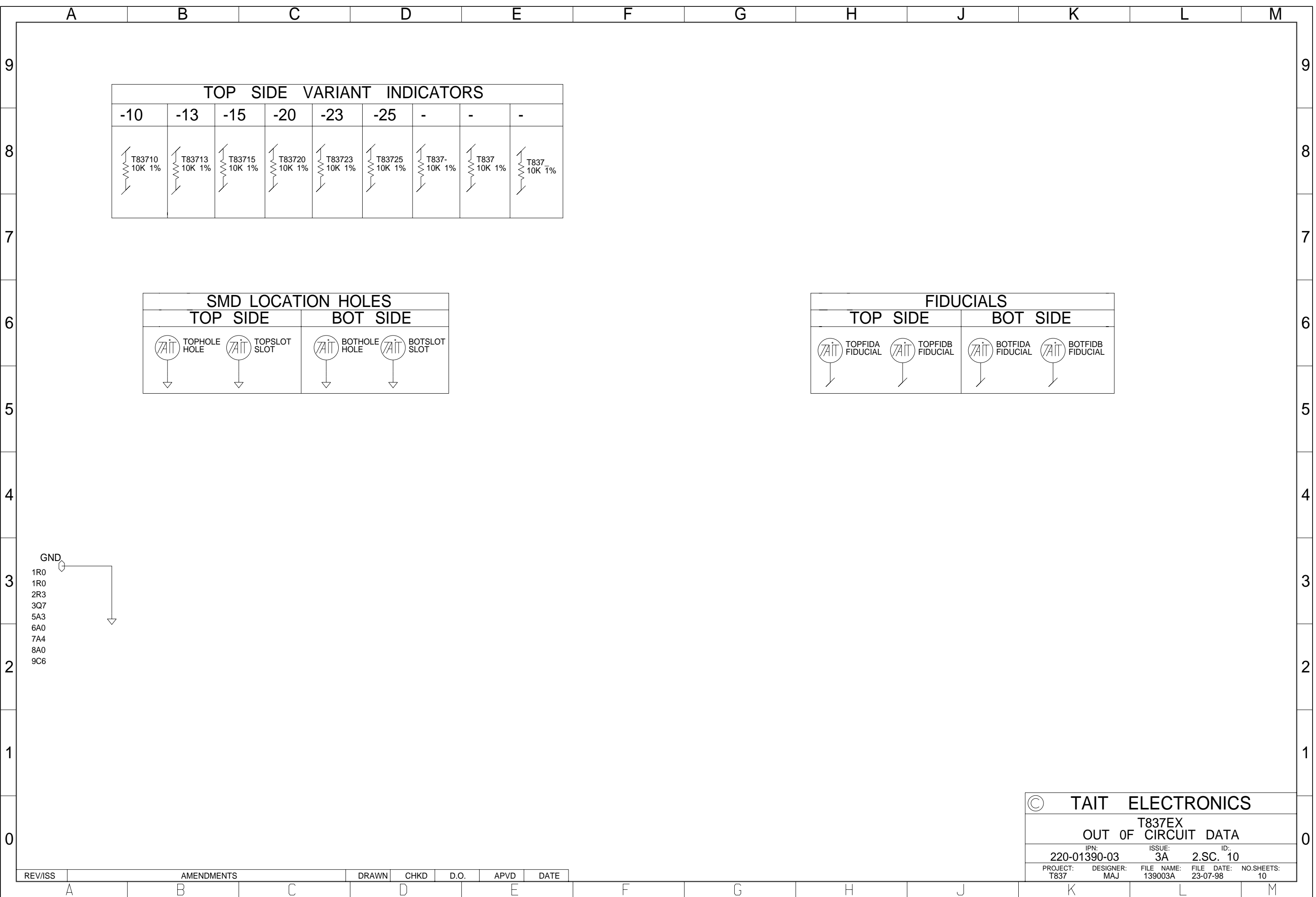
© TAIT ELECTRONICS

T837EX
HARMONIC-FILTER

IPN: 220-01390-03 ISSUE: 3A ID: 2.SC. 9

PROJECT: T837 DESIGNER: MAJ FILE NAME: 139003A FILE DATE: 23-07-98 NO.SHEETS: 10

REV/ISS	AMENDMENTS	DRAWN	CHKD	D.O.	APVD	DATE



TOP SIDE VARIANT INDICATORS								
-10	-13	-15	-20	-23	-25	-	-	-
T83710 10K 1%	T83713 10K 1%	T83715 10K 1%	T83720 10K 1%	T83723 10K 1%	T83725 10K 1%	T837- 10K 1%	T837 10K 1%	T837 10K 1%

SMD LOCATION HOLES			
TOP SIDE		BOT SIDE	
TOPHOLE HOLE	TOPSLOT SLOT	BOTHOLE HOLE	BOTSLOT SLOT

FIDUCIALS			
TOP SIDE		BOT SIDE	
TOPFIDA FIDUCIAL	TOPFIDB FIDUCIAL	BOTFIDA FIDUCIAL	BOTFIDB FIDUCIAL

- GND
- 1R0
 - 1R0
 - 2R3
 - 3Q7
 - 5A3
 - 6A0
 - 7A4
 - 8A0
 - 9C6

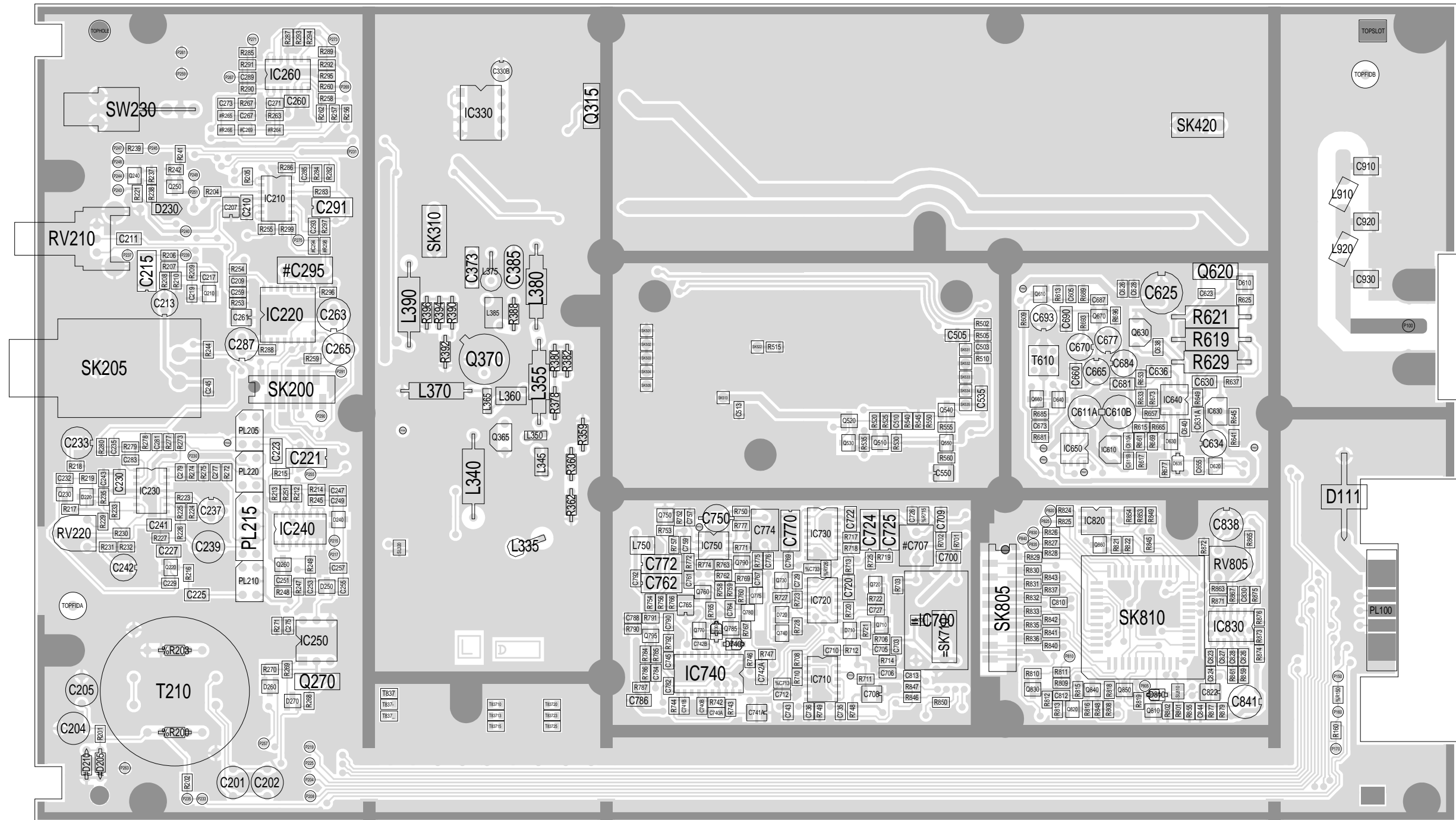
© TAIT ELECTRONICS

T837EX
OUT OF CIRCUIT DATA

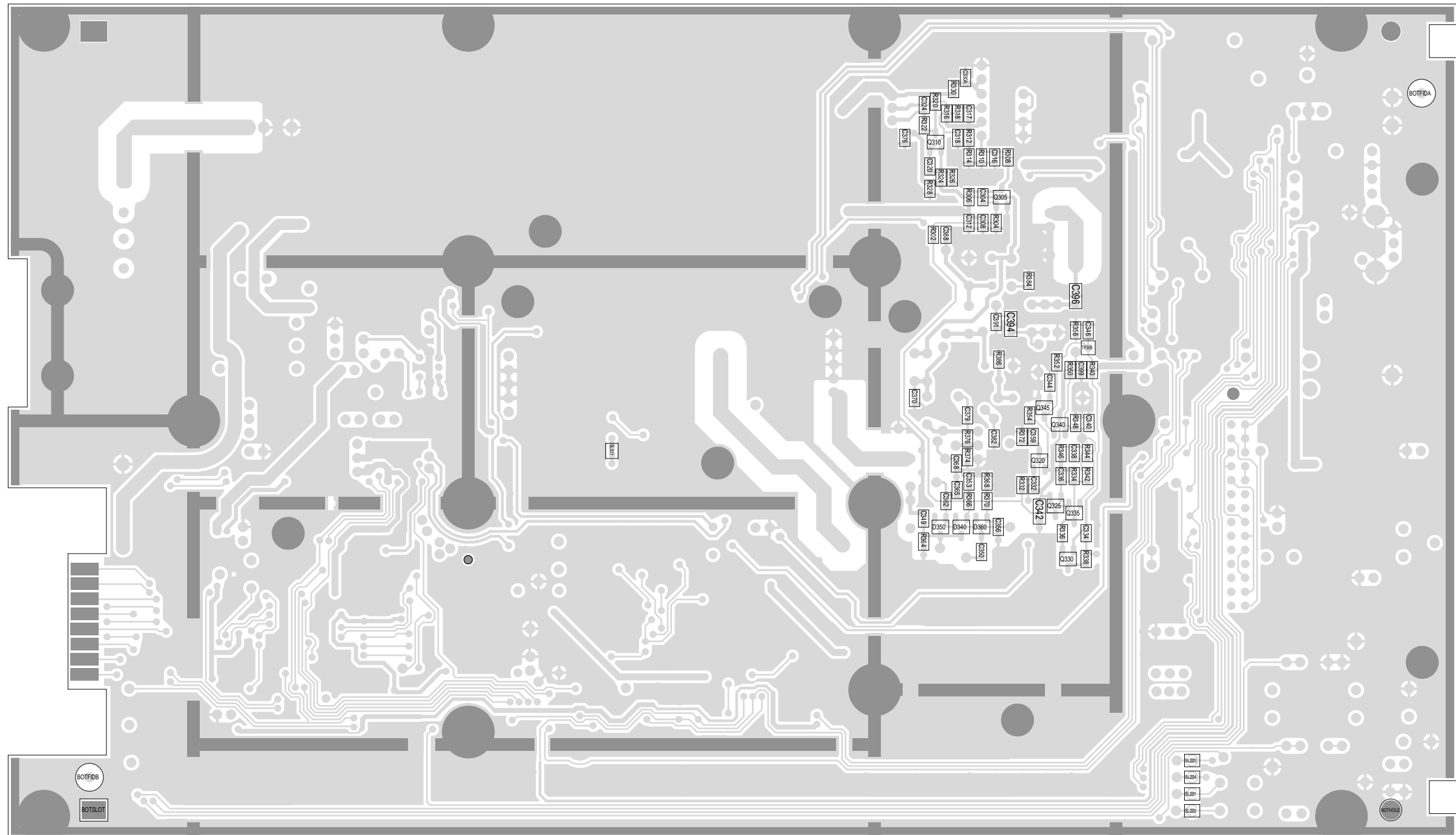
IPN: 220-01390-03 ISSUE: 3A ID: 2.SC. 10

PROJECT: T837 DESIGNER: MAJ FILE NAME: 139003A FILE DATE: 23-07-98 NO. SHEETS: 10

REV/ISS	AMENDMENTS	DRAWN	CHKD	D.O.	APVD	DATE



TAIT ELECTRONICS IPN: 220-01390-03 ISS: -03A ID: 1.TA DATE: 28 Jul 1998
 T837EXCITER PCB LAYOUT - TOP SIDE



TAIT ELECTRONICS	IPN:	ISS:	ID:	DATE:
	220-01390-03	-03A	2.BA	28 Jul 1998
T837EXCITER PCB LAYOUT - BOTTOM SIDE				

Scale: 1.2:1 ; Rotation: 0 degrees